



⚡ 3-15 kW Electrical heat

14 models

CE

## Elektra - C/F/V/H

Hard wearing fan heaters for very demanding environments

### Application

Elektra is a range of fan heaters designed for use in demanding environments. The different models can be used anywhere from corrosive environments and combustible areas to rooms with high temperatures as well as onboard ships and offshore platforms. Elektra is mainly designed for stationary use, yet can also be used as a portable fan heater.

### Comfort

Frico's fan heaters are extremely quiet and quickly provide comfortable heating. The Elektra fan heater makes it possible to bring comfort to environments with special requirements.

### Operation and economy

Frico's fan heaters have a long life and providing fast and effective heating at a low cost. Simple installation and a minimum of maintenance also reduce costs and the risk of faults.

### Design

The Elektra fan heater has a modern design with a stainless steel outer casing, red grille and red brackets. The brackets can be rotated, which means Elektra can also be used as a portable fan heater.

### Product specifications

- The Elektra fan heater is available in four designs:
  - **Elektra C** is intended for corrosive and damp environments, for example, car-wash halls and sewage works. Outer casing of acid-proof sheet steel. IP65.
  - **Elektra F** has a low element temperature and is approved for use in combustible areas, for example, joinery workshops and agricultural buildings. IP65.
  - **Elektra V** is designed to withstand vibrations on ships and offshore platforms and is approved by Det Norske Veritas. Also available for 440V/60Hz. IP44.
  - **Elektra H** is designed for rooms with high temperatures, up to 70 °C. IP44.
- For stationary use. Portable use is possible due to the reversible brackets and fitted carrying handle.
- Stainless steel outer casing (Elektra C has an acid-proof outer casing). Grille and bracket: RAL 3020 (red).

Design and specifications are subject to change without notice.

2010-07-02

### Get In Touch

☎ Call: [0845 6880112](tel:08456880112)  
 ✉ Email: [info@adremit.co.uk](mailto:info@adremit.co.uk)

### Our Address

Puravent, Adremit Limited, Unit 5A, Commercial Yard, Settle, North Yorkshire, BD24 9RH



The Elektra C fan heater can also be used in very damp environments such as car-wash halls due to the high IP class and outer casing of acid-proof sheet steel.



Designed for combustible areas — Elektra F fan heater can be the ideal solution for joinery workshops.



Elektra H fan heater has been especially designed for areas with high temperatures, right up to 70 °C.



Vibrations onboard ships and offshore platforms can cause electronic equipment to malfunction. Elektra V fan heater has been designed to overcome these stresses.

## Get In Touch

Call: [0845 6880112](tel:08456880112)  
Email: [info@adremit.co.uk](mailto:info@adremit.co.uk)

## Our Address

Puravent, Adremit Limited, Unit 5A, Commercial Yard, Settle, North Yorkshire, BD24 9RH

## Fan Heater Elektra

### Technical specifications | Elektra C. For corrosive environments ⚡

Type	Output steps [kW]	Airflow [m³/h]	Sound level*1 [dB(A)]	$\Delta t$ *2 [°C]	Voltage [V]	Amperage*3 [A]	HxWxD [mm]	Weight [kg]
ELC331	0/1,5/3	400	48	21	230V~	9/13,5	375x300x340	13
ELC633	0/3/6	1000	55	17	400V3~	4,5/8,9	445x375x430	20
ELC933	0/4,5/9	1000	55	25	230V3~	6,7/13,2	445x375x430	20
ELC1533	0/7,5/15	1300	63	32	400V3~	11,2/22	445x375x430	20

### Technical specifications | Elektra F. For rooms where there is a risk of fire ⚡

Type	Output steps [kW]	Airflow [m³/h]	Sound level*1 [dB(A)]	$\Delta t$ *2 [°C]	Voltage [V]	Amperage*3 [A]	HxWxD [mm]	Weight [kg]
ELF331	0/1,5/3	400	48	21	230V~	7/13,5	375x300x340	13
ELF633	0/3/6	700	53	24	400V3~	4,8/9,1	375x300x340	13
ELF933	0/4,5/9	1000	55	25	400V3~	6,7/13,2	445x375x430	20

### Technical specifications | Elektra V. For use on ships and within the offshore industry ⚡

Type	Output steps [kW]	Airflow [m³/h]	Sound level*1 [dB(A)]	$\Delta t$ *2 [°C]	Voltage [V]	Amperage*3 [A]	HxWxD [mm]	Weight [kg]
ELV331	0/2/3	400	48	21	230V~	9/13,5	375x300x340	13
ELV3333	0/1,5/3	400	48	21	400V3~	4,2/4,9	375x300x340	13
ELV3344	0/1,8/3,6	400	48	21	440/440V3~	4,7/5,3	375x300x340	13
ELV5333	0/2,5/5	700	53	17	400V3~	6,8/7,8	375x300x340	13
ELV6344	0/3/6	700	53	17	400/440V3~	7,4/8,5	375x300x340	13

### Technical specifications | Elektra H. For rooms with high temperatures ⚡

Type	Output steps [kW]	Airflow [m³/h]	Sound level*1 [dB(A)]	$\Delta t$ *2 [°C]	Voltage [V]	Amperage*3 [A]	HxWxD [mm]	Weight [kg]
ELH633	0/3/6	1000	55	24	400V3N~	4,5/8,9	445x375x430	20
ELH933	0/4,5/9	1000	55	25	400V3N~	6,7/13,2	445x375x430	20

\*1) Conditions: Distance to the unit 5 metres.

\*2)  $\Delta t$  = temperature rise of passing air at full heat output.

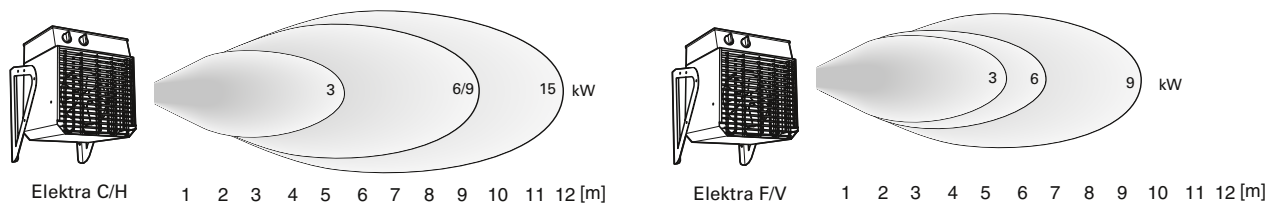
\*3) Amperage at half/full output.

Protection class Elektra C/F: IP65, Elektra V/H: IP44.

Approved by SEMKO and CE compliant.

Elektra V is approved by Det Norske Veritas. Elektra F is approved for use in combustibile areas.

### Air throw



#### Get In Touch

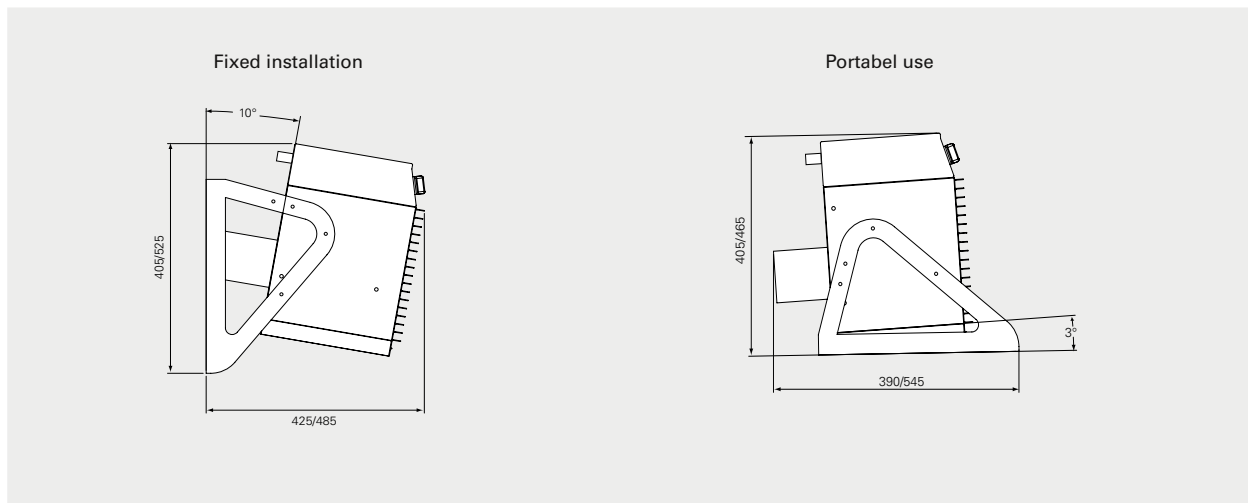
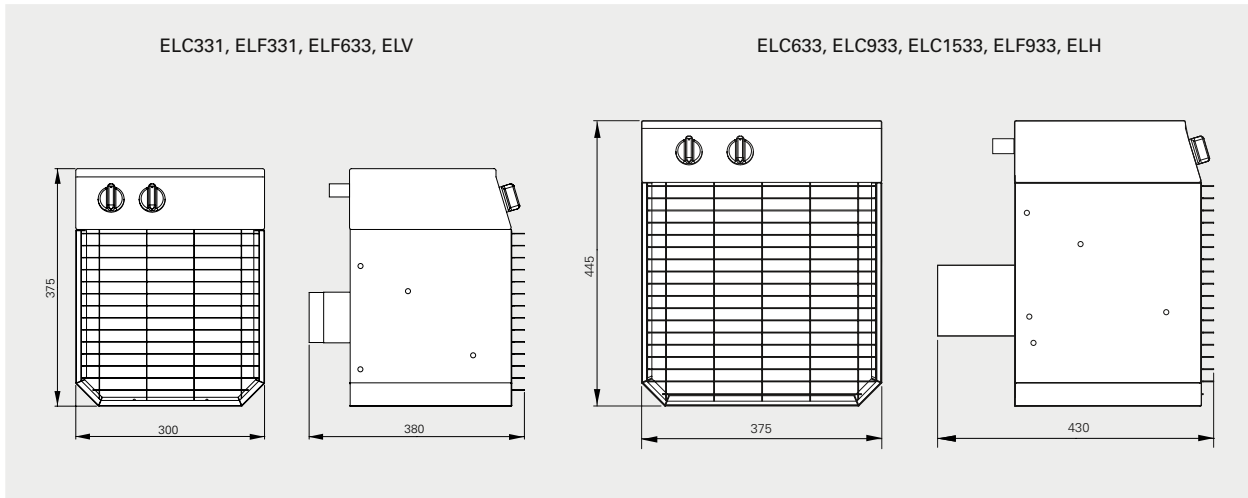
Call: 0845 6880112  
Email: [info@adremit.co.uk](mailto:info@adremit.co.uk)

#### Our Address



Puravent, Adremit Limited, Unit 5A, Commercial Yard, Settle, North Yorkshire, BD24 9RH



### Dimensions



#### Get In Touch

 Call: [0845 6880112](tel:08456880112)  
 Email: [info@adremit.co.uk](mailto:info@adremit.co.uk)

#### Our Address

Puravent, Adremit Limited, Unit 5A, Commercial Yard,  
Settle, North Yorkshire, BD24 9RH

## Mounting and connection

### Mounting

Fan heater Elektra is fitted on the wall and has a fixed tilt angle, 10° down, which gives optimal comfort. Elektra can also be used as a portable fan heater. Wall brackets are supplied and are turned downwards for portable use, see the dimension diagrams. There is a carrying handle at the rear of the unit which facilitates handling. For minimum dimensions with permanent installation, see diagrams 1 and 2.

### Electrical installation

The Elektra fan heater is equipped with a 1.8 metre long cable. Elektra F has a CEE plug fitted to the connection cable. The cable glands at the rear of the unit are used to connect accessories.

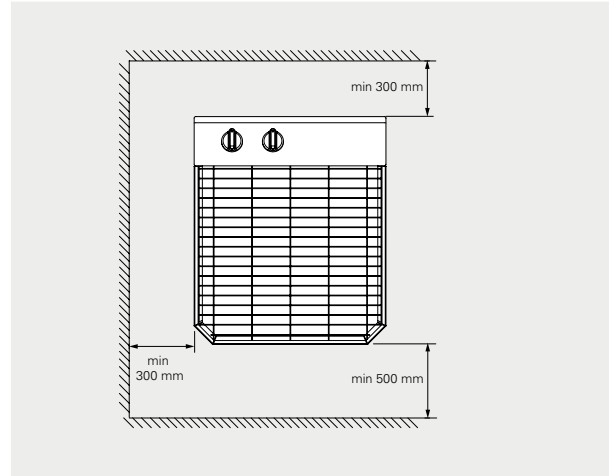


Figure 1: Minimum mounting distance for Elektra C, V and H as well as for Elektra F when ELS (accessory) is not used.

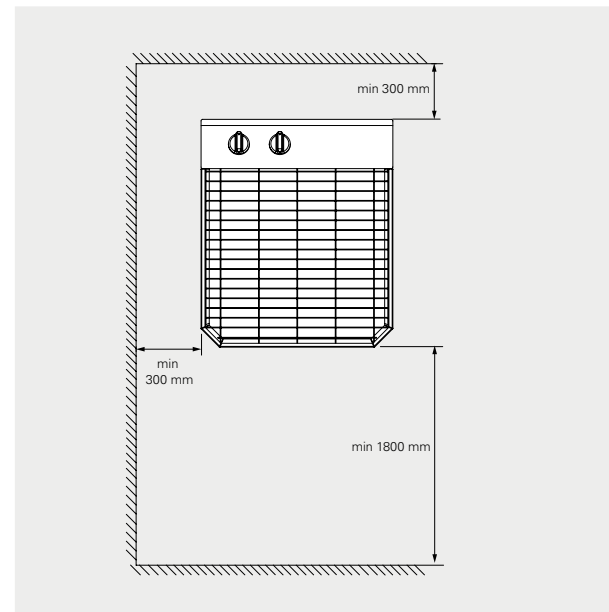


Figure 2: Minimum mounting distance for Elektra F when control panel ELS (accessory) is used.

## Get In Touch

Call: [0845 6880112](tel:08456880112)  
Email: [info@adremit.co.uk](mailto:info@adremit.co.uk)

## Our Address

Puravent, Adremit Limited, Unit 5A, Commercial Yard,  
Settle, North Yorkshire, BD24 9RH

## Control options

Fan heater Elektra H features an integrated thermostat with the working range 0 – +70 °C, other models feature an integrated thermostat with the working range 0 – +35 °C. The output can be selected using the output selector on the unit or on the external control panel.

### Elektra C

Can be regulated using an external control panel with integrated thermostat (0 - +35 °C) for remote control, for example, when installed high on a wall.

- ELSRT, control panel, controls one unit
- ELSRT4, control panel, controls up to four units

### Elektra F

Can be started/stopped using an external control panel for remote control, for example, when installed high on a wall.

- ELS, control panel

### Elektra H

Can be regulated using an external thermostat.

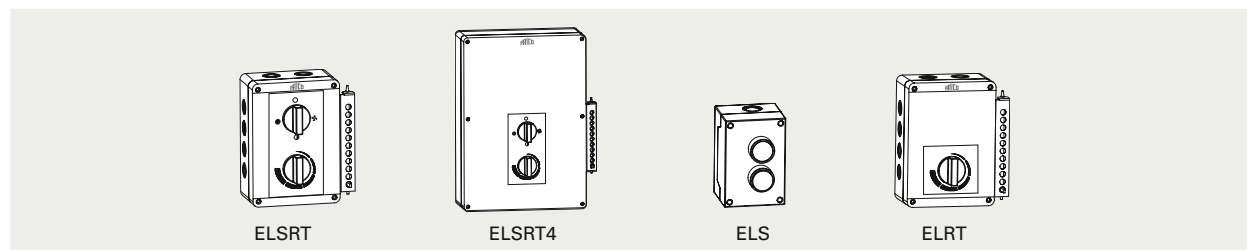
- ELRT, room thermostat

### Elektra V

Can be regulated using an external control panel with integrated thermostat (0 - 35 °C) for remote control, for example, when installed high on a wall.

- ELSRT, control panel, controls one unit
- ELSRT4, control panel, controls up to four units

## Accessories



### ELSRT/ELSRT4, control panel

The required output and temperature can be set on the control panel. Integrated thermostat, +5 – +35 °C. Used for external control, for example, when installed high on a wall. **ELSRT** controls only one unit. **ELSRT4** can control up to four units. IP65.

### ELS, control panel start/stop

Control panel that starts/stops the fan, for external control, for example, when installed high on a wall. Only one unit can be controlled from one control panel. IP65.

### ELRT, room thermostat

Capillary tube thermostat with visible dial. Setting range 0 - +70 °C. Max. breaking current: 16 A. IP44.

Type	Description	HxWxD [mm]
ELSRT	Control panel and thermostat, for ELC/ELV, controls one fan heater	175x150x100
ELSRT4	Control panel and thermostat, for ELC/ELV, controls 4 fan heaters	255x360x110
ELS	Control panel, for ELF, start/stop	105x70x80
ELRT	Thermostat, for ELH	175x150x100

## Get In Touch

Call: 0845 6880112  
 Email: [info@adremit.co.uk](mailto:info@adremit.co.uk)

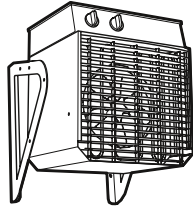
## Our Address

Puravent, Adremit Limited, Unit 5A, Commercial Yard, Settle, North Yorkshire, BD24 9RH

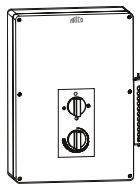
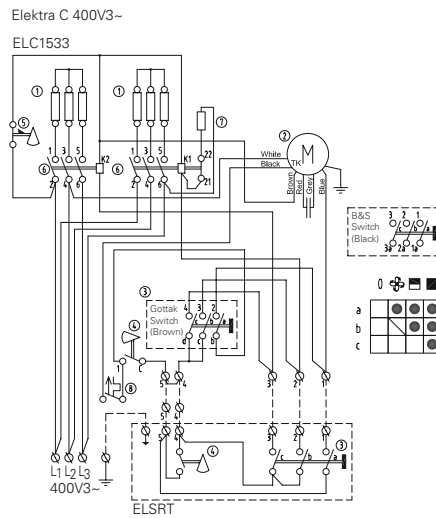
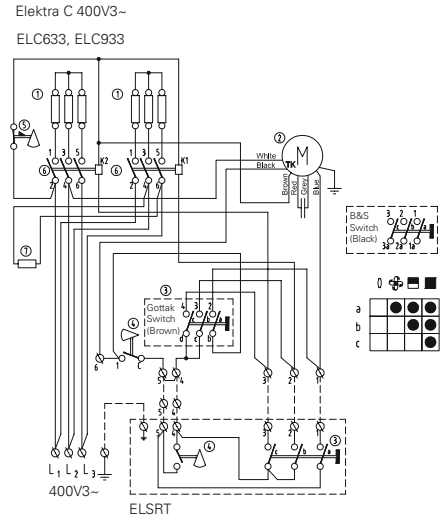
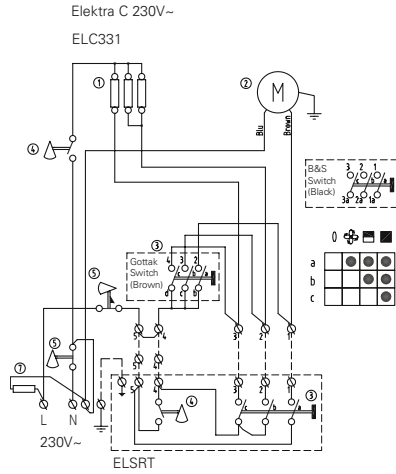


Wiring diagrams

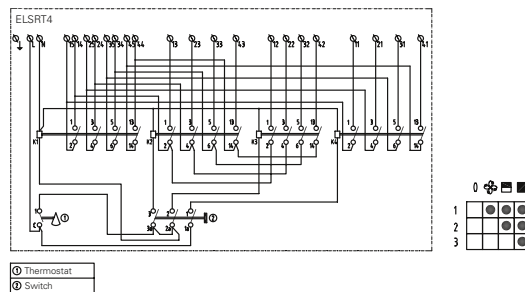
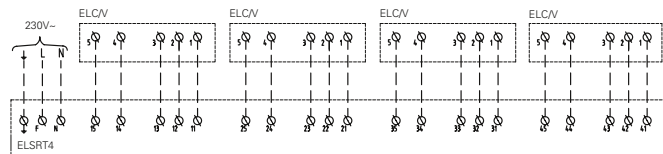
Elektra C



ELSRT, control box with thermostat



ELSRT4, control box with thermostat, for 4 units



Design and specifications are subject to change without notice.

Get In Touch

Call: 0845 6880112  
 Email: [info@adremit.co.uk](mailto:info@adremit.co.uk)

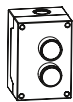
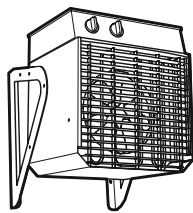
Our Address

Puravent, Adremit Limited, Unit 5A, Commercial Yard,  
 Settle, North Yorkshire, BD24 9RH

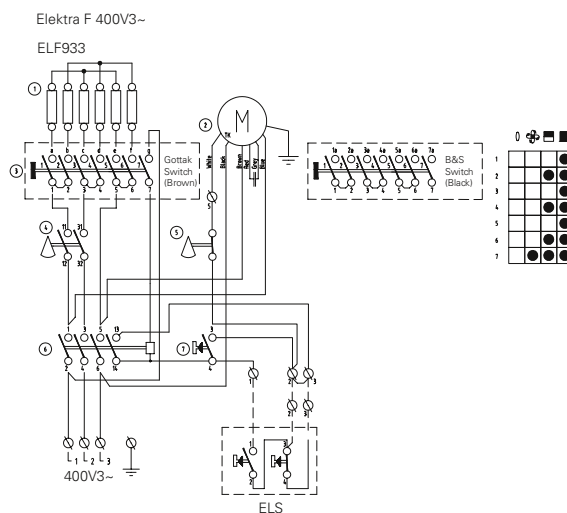
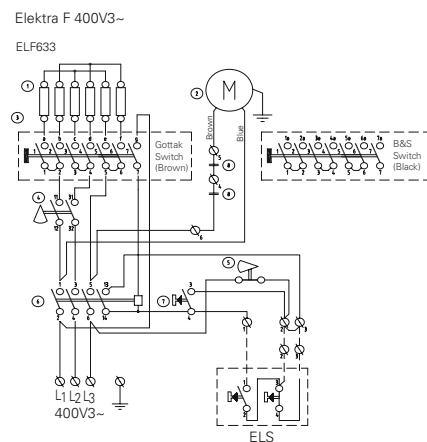
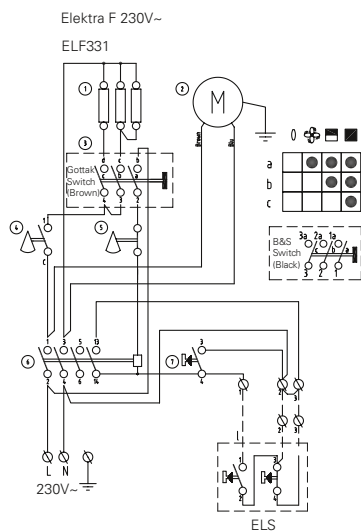


### Wiring diagrams

#### Elektra F



ELS,  
control box start/stop



#### Get In Touch

Call: 0845 6880112  
Email: [info@adremit.co.uk](mailto:info@adremit.co.uk)

#### Our Address

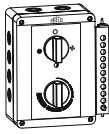
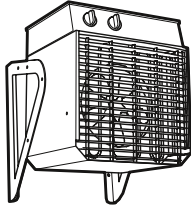
Puravent, Adremit Limited, Unit 5A, Commercial Yard,  
Settle, North Yorkshire, BD24 9RH



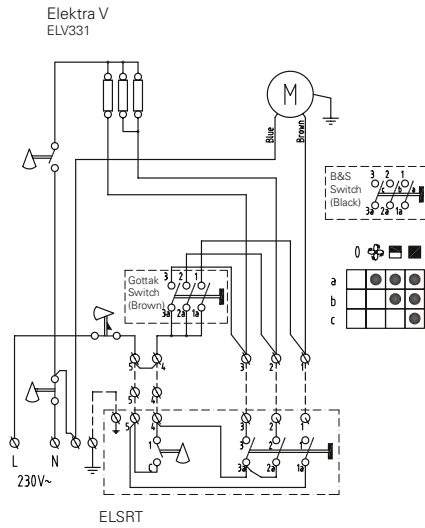
# Fan Heater Elektra

## Wiring diagrams

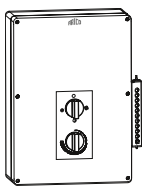
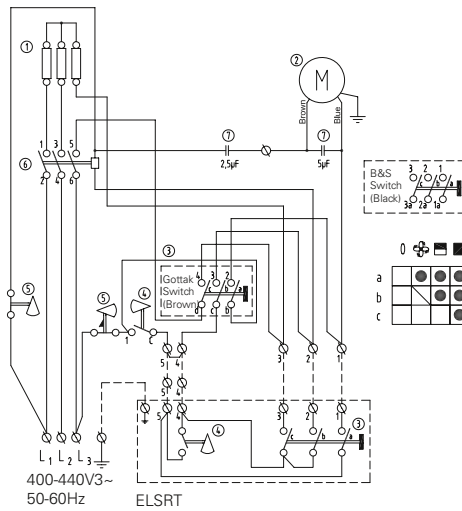
### Elektra V



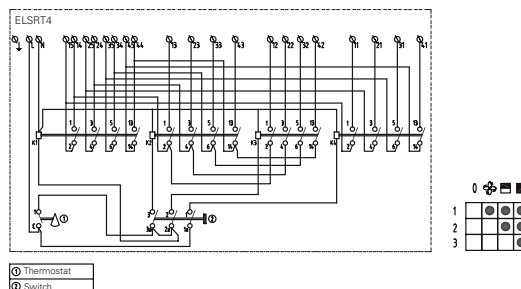
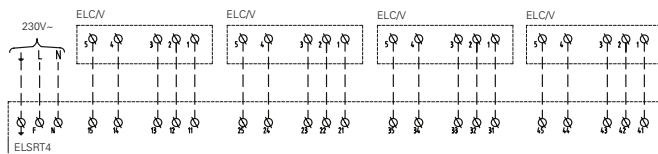
ELSRT,  
control box with  
thermostat



### Elektra V 400-440V3~ ELV333, ELV5333 ELV3344, ELV6344



ELSRT4,  
control box with  
thermostat, for 4 units



Design and specifications are subject to change without notice.

## Get In Touch

Call: 0845 6880112  
Email: [info@adremit.co.uk](mailto:info@adremit.co.uk)

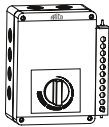
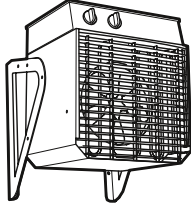
## Our Address

Puravent, Adremit Limited, Unit 5A, Commercial Yard,  
Settle, North Yorkshire, BD24 9RH



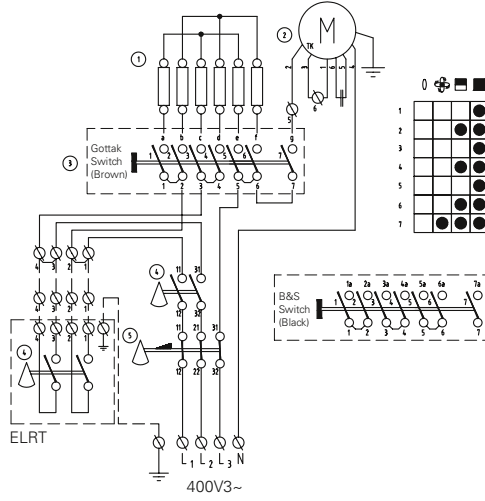
### Wiring diagrams

#### Elektra H



ELRT,  
Room thermostat

Elektra H 400V3~  
ELH633, ELH933



#### Get In Touch

Call: [0845 6880112](tel:08456880112)  
Email: [info@adremit.co.uk](mailto:info@adremit.co.uk)

#### Our Address

Puravent, Adremit Limited, Unit 5A, Commercial Yard,  
Settle, North Yorkshire, BD24 9RH

