



AXC-EX

- Aerofoil impeller with adjustable pitch angle.
- Die cast aluminium hub and blades.
- Casing, hot dip galvanized steel, to EN ISO 1641.
- Aluminium anti-spark ring.
- Spun flanges for high rigidity, to Eurovent 1/2.
- Three phase motors, IP55, insulation class F, in accordance with EN 60034, IEC 85. Supplied with terminal box Ex e mounted at the outer side of the casing.
- Admissible ambient temperatures from -20°C to +40°C, other temperatures on request.
- Inspection hole to verify correct direction of rotation.

The AXC-EX range of long cased medium pressure axial fans is available in sizes 315 up to 900 mm impeller diameter. The possibility to set the pitch angles at the factory offers a wide performance and maximum flexibility to match precisely individual airflow requirements.

Attention: it is not permissible to change the pitch angle at site, this would invalidate the certification. The stock range offers a standard selection with maximum airflow for the installed motor power. The fans can be used for zones 1 or 2, field of application II, for gases of groups IIA, IIB, and IIC and temperature classes T1 to T4. The fans are classified to category 2G. The fans are certified under Sira 07ATEX6341X. The Ex d motors are equipped with PTC thermistors for optimum motor protection. The motor is speed controllable by frequency converter.

ELECTRICAL ACCESSORIES



U-EK 230E EX
p. 338

TECHNICAL DATA

AXC-EX		355-7 32°-4	400-7 32°-4	450-7 24°-2	450-7 32°-4	500-9 16°-2	500-9 22°-4	500-9 26°-2	500-9 28°-4	560-9 18°-2	560-9 20°-4
Art no		33007	33008	33001	33009	33002	33010	33003	33011	33004	33012
Voltage/Frequency	V/50 Hz	400 3~	400 3~	400 3~	400 3~	400 3~	400 3~	400 3~	400 3~	400 3~	400 3~
Max. power load	kW	0.37	0.37	2.2	0.55	3.0	0.55	5.5	0.75	5.5	0.75
Power	W	225	337	2532	473	3396	546	4753	662	5502	779
Max current	A	-	-	4.8	1.6	7.3	1.6	12	2.0	12	2
Current	A	0.837	0.845	4.81	1.16	5.61	1.21	7.87	1.55	8.76	1.68
Max air flow	m³/s	0.92	1.28	2.81	1.8	2.78	1.75	4.03	2.23	4.52	2.46
R.p.m.	min ⁻¹	1471	1461	2924	1441	2905	1428	2945	1439	2932	1428
Max temp. of transported air	°C	40	40	40	40	40	40	40	40	40	40
Weight	kg	40	75	63	55	82	65	130	65	155	90
Insulation class, motor		F	F	F	F	F	F	F	F	F	F
Enclosure class, motor		IP 55	IP 55	IP 55	IP 55	IP 55	IP 55	IP 55	IP 55	IP 55	IP 55
Certificate		SIRA 07ATEX6341X									
Wiring diagram p. 391-400		44	44	44	44	44	44	44	44	44	44

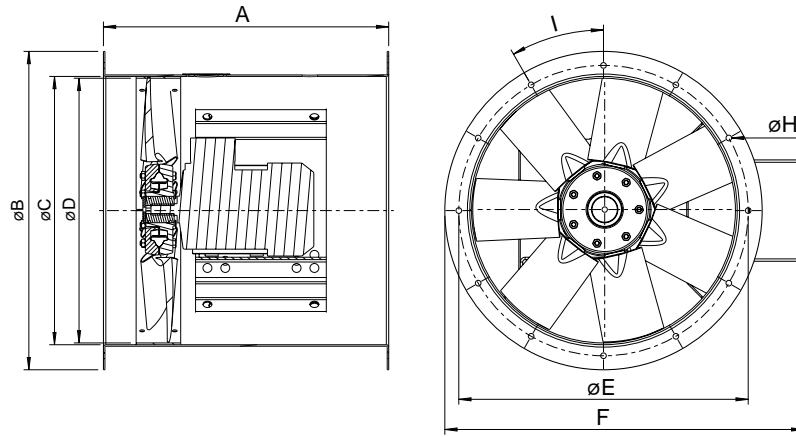
Get In Touch

Call: [0845 6880112](tel:08456880112)
Email: info@adremit.co.uk

Our Address

Puravent, Adremit Limited, Unit 5a, Commercial Yard,
Settle, North Yorkshire, BD24 9RH

DIMENSIONS



AXC-EX	A	øB	øC	øD	øE	F	øH	I
355	400	438	359	346	395	505	9.5	8x45°
400	400	484	401	388	438	552	9.5	12x30°
450	480	534	450	436	487	605	9.5	12 x 30°
500	480	584	504	490	541	659	9.5	12 x 30°
560	700	664	565	551	605	730	12	16 x 22.5°
630	700	734	634	618	674	803	12	16 x 22.5°
710	540	812	711	694	751	883	12	16 x 22.5°
800	700	904	797	778	837	973	12	24 x 15°
900	700	1004	894	869	934	1075	12	24 x 15°

VENTILATION ACCESSORIES

-  ESD-F p. 388
-  GFL-AR/AXC p. 389
-  EV-EX/AXC p. 387
-  FSD p. 386
-  MFA-AR/AXC p. 386
-  SG AR/AXC p. 385
-  Cable gland set p. 386

AXC-EX		560-9	560-9	630-9	630-9	630-9	710-9	800-9	800-9	900-10	900-10
		24°-2	26°-4	16°-2	18°-4	30°-4	30°-4	18°-4	28°-4	18°-4	26°-4
Art no		33005	33013	33006	33014	33015	33016	33017	33018	33019	33020
Voltage/Frequency	V/50 Hz	400 3~	400 3~	400 3~	400 3~	400 3~	400 3~	400 3~	400 3~	400 3~	400 3~
Max. power load	kW	7.5	1.1	7.5	1.1	3.0	4.0	4.0	7.5	7.5	11
Power	W	6977	1088	7862	1156	2181	3360	2716	5339	6212	11 964
Max current	A	15	2.8	15	2.8	6.83	8.2	8.2	16.5	16.5	23
Current	A	11.5	2.04	12.6	2.15	4.69	6.03	5.27	11.8	12.5	16.7
Max air flow	m³/s	5.43	3.18	6.18	3.44	5.14	6.7	6.57	9.1	10	12.4
R.p.m.	min ⁻¹	2944	1434	2936	1429	1465	1457	1467	1480	1476	1479
Max temp. of transported air	°C	40	40	40	40	40	40	40	40	40	40
Weight	kg	155	93	155	95	105	130	130	158	255	330
Insulation class, motor	F	F	F	F	F	F	F	F	F	F	F
Enclosure class, motor	IP 55	IP 55	IP 55	IP 55	IP 55	IP 55	IP 55	IP 55	IP 55	IP 55	IP 55
Certificate		SIRA 07ATEX6341X									
Wiring diagram p. 391-400		44	44	44	44	44	44	44	44	44	44

Explosion proof fans

Get In Touch

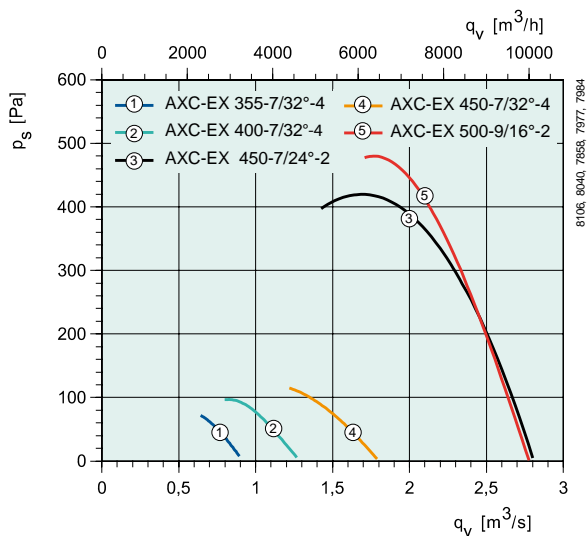
 Call: 0845 6880112
 Email: info@adremit.co.uk

Our Address

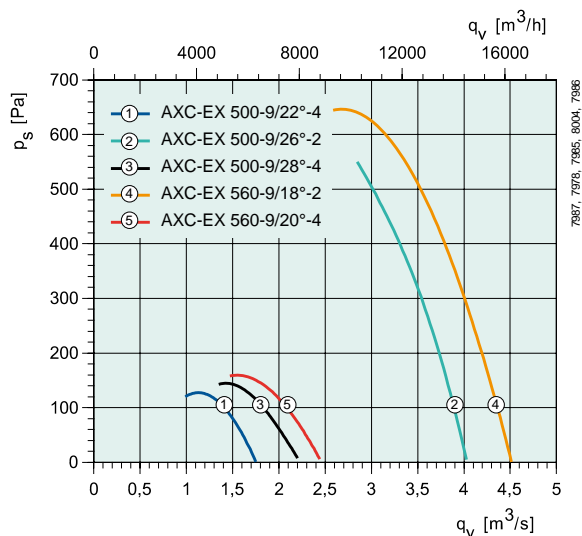
Puravent, Adremit Limited, Unit 5a, Commercial Yard, Settle, North Yorkshire, BD24 9RH



QUICK SELECTION

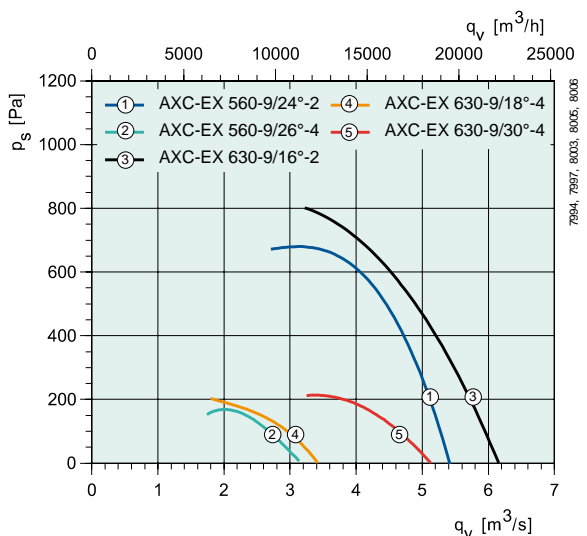


dB(A)	Tot	Frequency bands [Hz]							
		63	125	250	500	1k	2k	4k	8k
L_{WA} Inlet/Outlet		63	125	250	500	1k	2k	4k	8k
AXC-EX									
355-7/32°-4	74	69	68	69	68	67	64	59	53
400-7/32°-4	77	72	71	72	71	70	67	62	56
450-7/24°-2	96	91	86	89	91	88	88	84	78
450-7/32°-4	82	77	76	77	76	75	72	67	61
500-9/16°-2	100	95	90	93	95	93	92	88	82

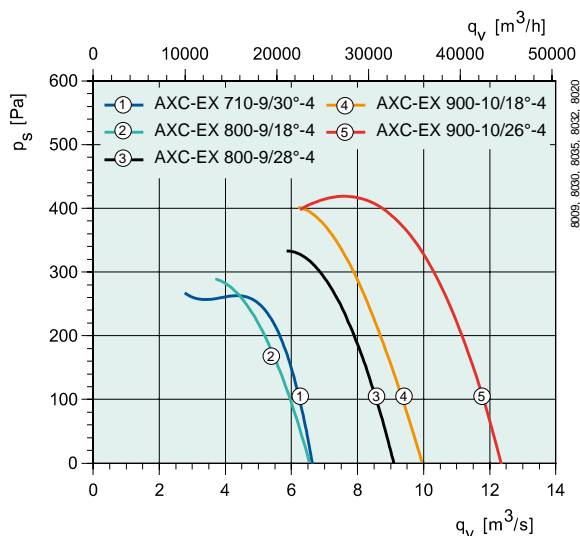


dB(A)	Tot	Frequency bands [Hz]							
		63	125	250	500	1k	2k	4k	8k
L_{WA} Inlet/Outlet		63	125	250	500	1k	2k	4k	8k
AXC-EX									
500-9/22°-4	86	81	80	81	80	79	76	71	65
500-9/26°-2	102	97	92	95	97	95	94	90	84
500-9/28°-4	87	82	81	82	81	80	77	72	66
560-9/18°-2	106	101	96	99	101	99	98	94	88
560-9/20°-4	91	86	85	86	85	84	81	76	70

Explosion proof fans



dB(A)	Tot	Frequency bands [Hz]							
		63	125	250	500	1k	2k	4k	8k
L_{WA} Inlet/Outlet		63	125	250	500	1k	2k	4k	8k
AXC-EX									
560-9/24°-2	108	103	98	101	103	101	100	96	90
560-9/26°-4	93	88	87	88	87	86	83	78	72
630-9/16°-2	111	106	101	104	106	104	103	99	93
630-9/18°-4	96	91	90	91	90	89	86	81	75
630-9/30°-4	99	94	93	94	93	92	89	84	78



dB(A)	Tot	Frequency bands [Hz]							
		63	125	250	500	1k	2k	4k	8k
L_{WA} Inlet/Outlet		63	125	250	500	1k	2k	4k	8k
AXC-EX									
710-9/30°-4	93	88	87	88	87	86	83	78	72
800-9/18°-4	97	92	91	92	91	90	87	82	76
800-9/28°-4	100	95	94	95	94	93	90	85	79
900-10/18°-4	101	91	89	95	96	94	91	86	80
900-10/26°-4	104	94	97	99	97	96	92	86	80