

Manual Nr.:	Date
TFA-M-001	12.02.2016

Rev. Nr. - date
000 - 12.02.2016

MANUAL

MARINE HEATER – TELCO T2RIB



TELCO FABRIKKER AS

N.7580 Selbu, Norge

Phone +47 73 81 20 90 Fax +47 73 81 74 95 e-mail: info@telco.no

Get In Touch



Call: [0845 6880112](tel:08456880112)



Email: info@adremit.co.uk

Our Address

Puravent, Adremit Limited, Unit 5a, Commercial Yard,
Settle, North Yorkshire, BD24 9RH

Marine heater T2RIB

Type	EI number 230V	EI number 400V	EI number 115V	EI number 440V	Power	Height inkl. grille	Length	Depth	Description
T2RIB 025	54 494 56	54 494 57	54 494 58	54 494 59	250 W	238 mm	379 mm	96 mm	Ship heater with power switch, Bi-metal thermostat, Thermal cut-out and protection grille.
T2RIB 03	54 494 60	54 494 61	54 494 62	54 494 63	300 W	238 mm	379 mm	96 mm	
T2RIB 04	54 494 64	54 494 65	54 494 66	54 494 67	400 W	238 mm	379 mm	96 mm	
T2RIB 05	54 494 08	54 494 09	54 494 10	54 494 11	500 W	238 mm	474 mm	96 mm	
T2RIB 08	54 494 68	54 494 69	54 494 70	54 494 71	800 W	238 mm	629 mm	96 mm	
T2RIB 10	54 494 16	54 494 17	54 494 18	54 494 19	1000 W	238 mm	869 mm	96 mm	
T2RIB 12	54 494 72	54 494 73	54 494 74	54 494 75	1200 W	238 mm	869 mm	96 mm	
T2RIB 16	54 494 76	54 494 77	54 494 78	54 494 79	1600 W	238 mm	1134 mm	96 mm	
T2RIB 20	54 494 90	54 494 91	54 494 92	54 494 93	2000 W	238 mm	1395 mm	96 mm	



Specifications
Flow-through marine heater with on/off switch, bi-metal thermostat, thermal cut-out and protection grille.
230 V, 400V, 115V, 440
Colour: RAL 9016 White
Connection: Right-hand side
Fitting to walls: Heaters must be fitted horizontally and are delivered with solid wall brackets.
Max. surface temperature: 69°C
Classification: IP 44. This heater is particularly suited for use in damp environment, e.g. bathrooms and toilets

Installation distance requirements	T2RIB
Minimum distance to side wall:	2 cm
Minimum distance to floor:	5 cm
Minimum distance to ceiling or window sill:	38 cm



TELCO FABRIKKERAS

N.7580 Selbu, Norge

Phone +47 73 81 20 90 Fax +47 73 81 74 95 e-mail: info@telco.no

Get In Touch

Call: 0845 6880112
Email: info@adremit.co.uk

Our Address

Puravent, Adremit Limited, Unit 5a, Commercial Yard,
Settle, North Yorkshire, BD24 9RH

Installation instructions for marine heater T2RIB

The heater must only be installed by authorized electricians.

1. Fasten the heater to the wall. Screws are provided
2. Remove the thermostat knob and the front cover of the distribution box.
3. Connect to a 4-pole terminal.
4. Connect the earth lead to the earth sign on terminal.
5. Replace the front cover and put the thermostat knob back in place

Installation distance requirements:

Minimum distance to side wall:	2,0 cm.
Minimum distance to floor:	2,0 cm.
Minimum distance to roof or window sill:	38,0 cm.

The heater must not be located immediately below a socket outlet.

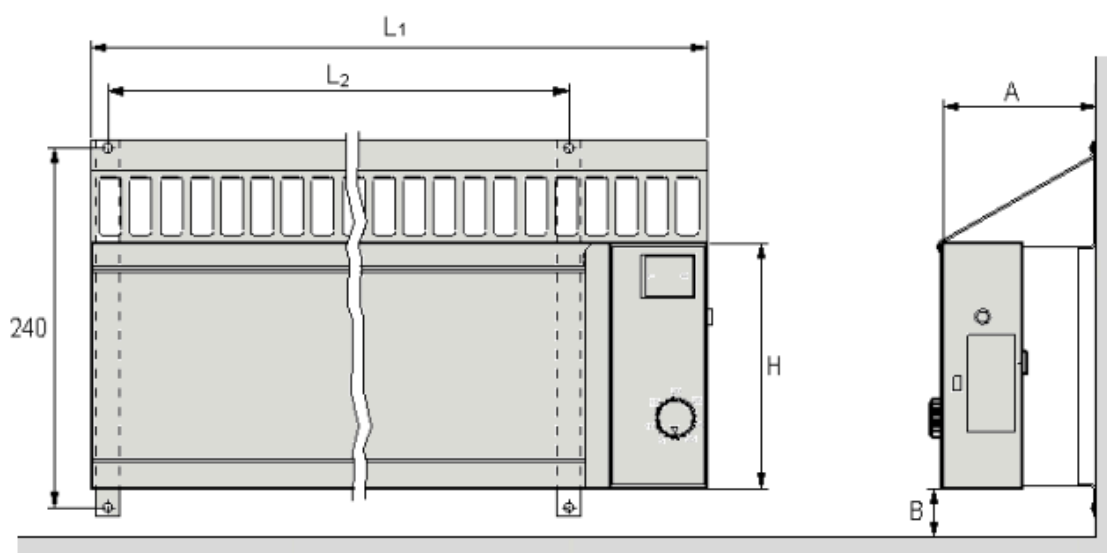
Heaters used in bathrooms must be installed so that switches and other controls cannot be touched by a person in the bath or shower.

This appliance is not intended for use by persons (including children) with reduced physical, sensory or mental capabilities, or lack of experience and knowledge, unless they have been given supervision or instruction concerning use of the appliance by a person responsible for their safety.

Children should be supervised to ensure that they do not play with the appliance

WARNING: In order to avoid overheating, do not cover the heater.

Type	Power	A	B	L ₁	L ₂	H	Height incl. grille
T2RIB 025	250 W	96 mm.	Min. 20 mm.	379 mm.	285 mm.	150 mm.	238 mm.
T2RIB 03	300 W	96 mm.	Min. 20 mm.	379 mm.	285 mm.	150 mm.	238 mm.
T2RIB 04	400 W	96 mm.	Min. 20 mm.	379 mm.	285 mm.	150 mm.	238 mm.
T2RIB 05	500 W	96 mm.	Min. 20 mm.	474 mm.	380 mm.	150 mm.	238 mm.
T2RIB 08	800 W	96 mm.	Min. 20 mm.	629 mm.	535 mm.	150 mm.	238 mm.
T2RIB 10	1000 W	96 mm.	Min. 20 mm.	869 mm.	775 mm.	150 mm.	238 mm.
T2RIB 12	1200 W	96 mm.	Min. 20 mm.	869 mm.	775 mm.	150 mm.	238 mm.
T2RIB 16	1600 W	96 mm.	Min. 20 mm.	1134 mm.	1040 mm.	150 mm.	238 mm.
T2RIB 20	2000 W	96 mm.	Min. 20 mm.	1395 mm.	1295 mm.	150 mm.	238 mm.



TELCO FABRIKKERAS

N.7580 Selbu, Norge

Phone +47 73 81 20 90 Fax +47 73 81 74 95 e-mail: info@telco.no

Get In Touch

Call: 0845 6880112
Email: info@adremit.co.uk

Our Address

Puravent, Adremit Limited, Unit 5a, Commercial Yard,
Settle, North Yorkshire, BD24 9RH

Operation instructions for marine heater T2RIB

The heaters operation panel is on the right side, and contains two items:

1. The on/off switch.
Push the switch down on the “1” side of the switch to set the power on.
Push the switch down on the “0” side of the switch to set the power off.
2. The thermostat wheel.
Adjust the room temperature, by turning the thermostat wheel,
to the preferred temperature on the scale from 5°C to 35°C.



Cleaning / Maintenance instructions for marine heater T2RIB

The area behind and under the heater should be vacuum cleaned regularly and the surface wiped with a damp cloth using standard cleaning products.



TELCO FABRIKKERAS

N.7580 Selbu, Norge

Phone +47 73 81 20 90 Fax +47 73 81 74 95 e-mail: info@telco.no

Get In Touch

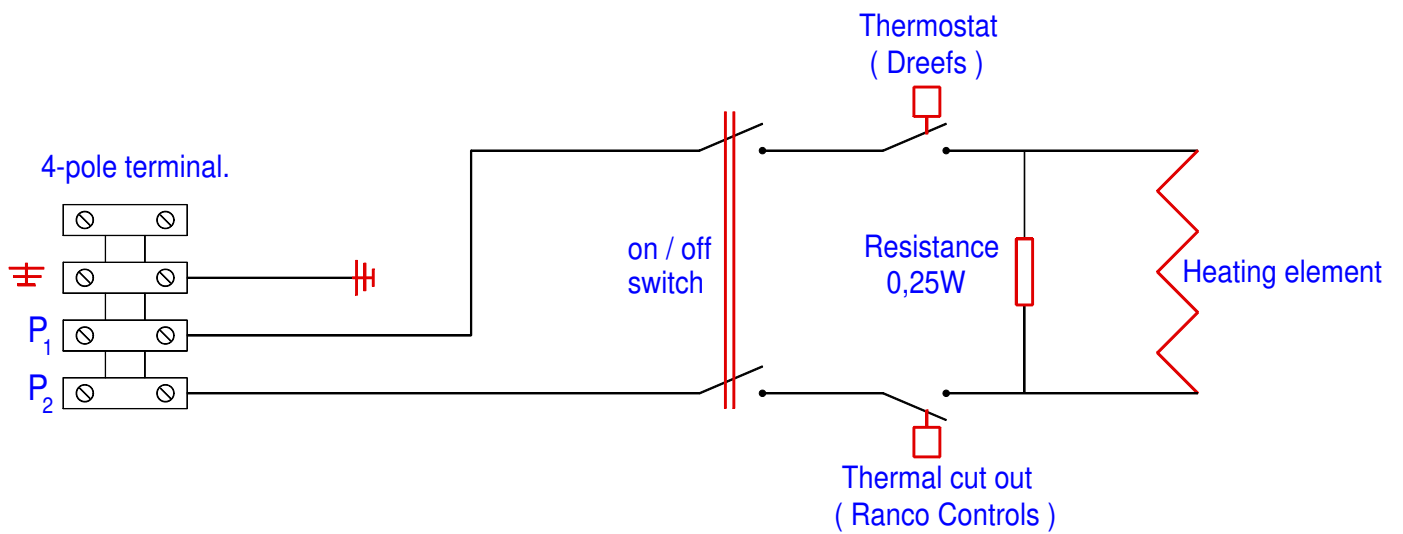
 Call: [0845 6880112](tel:08456880112)
 Email: info@adremit.co.uk


Our Address

Puravent, Adremit Limited, Unit 5a, Commercial Yard,
Settle, North Yorkshire, BD24 9RH



WIRING DIAGRAM FOR MARINE HEATER T2RIB



Design date / Sign	 TELCO Telco Fabrikker AS
Effects	
Voltage	
Draw name	Rev.

24.09.2010 / TG
 From 250W to 2000W
 115V, 230V, 380V, 440V
 Wiring diagram - T2RIB

Get In Touch

 Call: 0845 6880112
 Email: info@adremit.co.uk

Our Address

Puravent, Adremit Limited, Unit 5a, Commercial Yard,
 Settle, North Yorkshire, BD24 9RH



Trouble shooting instructions for marine heater T2RIB

If the heater is not longer working, check this:

T2RIB have a built-in safety system, a thermal cut-out, to prevent the heater from overheating. This mechanism will switch off the power should the heater become covered. If this happens, remove the item covering the heater and press the reset button to restart the heater. The reset button is located on the right end side of the heater.

Any problem that can't be fixed by resetting the thermal cut-out, please contact the producer:

Telco Fabrikker AS
Ausa industriområde
7580 Selbu
NORWAY

Phone: +47 73 81 20 90
Fax: + 47 73 81 74 95
E-mail: info@telco.no

Information about utilization of marine heater T2RIB

- Heaters do not contain any parts or particles made of hazard materials and cannot make any harm to the environment.
- Heaters should not be utilized with household waste.
- Heaters should be utilized in according to local Regulations and Standards.

Information about warranty of marine heater T2RIB

- Telco Fabrikker AS offer a two-year warranty on all our products.



TELCO FABRIKKER AS

N.7580 Selbu, Norge

Phone +47 73 81 20 90 Fax +47 73 81 74 95 e-mail: info@telco.no

Get In Touch

 Call: [0845 6880112](tel:08456880112)
 Email: info@adremit.co.uk

Our Address

Puravent, Adremit Limited, Unit 5a, Commercial Yard,
Settle, North Yorkshire, BD24 9RH