



# PGK 60X30-4-2,0

Item no. 17836

Document type: **Product card**  
 Document date: **2019-07-02**  
 Generated by: **Systemair Online Catalogue**

## Description

Cold water-cooling battery for rectangular ducts. Casing from galvanised sheet steel. Water-battery from copper tubes and aluminium fins. Air vent and drain valve included. Drip pan from stainless steel and condensate connection (G $\frac{1}{2}$ ""). Max working pressure 1.0 MPa (10 bar). For water connection left or right. Two inspection covers for cleaning and maintenance. Droplet separator DE as an accessory regardless of air direction. Recommended for air velocities from 2,5m/s.

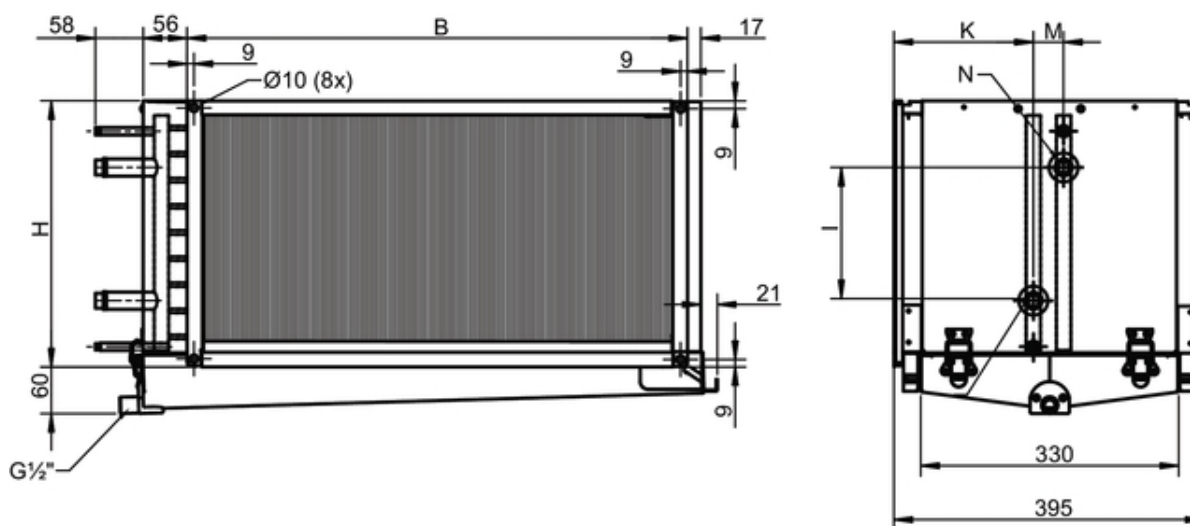


## Technical parameters

Weight 18,6 kg

## Coil calculation

### Dimensions



	B	H	I	K	M	N	DE
PGK 40-20-4-2.0	438	238	70	176	43	R 3/4	DE 40x20
PGK 50-25-4-2.0	538	288	120	176	43	R 3/4	DE 50x25
PGK 50-30-4-2.0	538	338	175	176	43	R 3/4	DE 50x30
PGK 60-30-4-2.0	638	338	170	176	43	R 3/4	DE 60x30
PGK 60-35-4-2.0	638	388	220	176	43	R 3/4	DE 60x35
PGK 70-40-4-2.0	738	438	250	170	55	R1 1/4	DE 70x40
PGK 80-50-4-2.0	838	538	340	170	55	R1 1/4	DE 80x50
PGK 100-50-4-2.0	1038	538	350	170	55	R1 1/4	DE 100x50

### Get In Touch

Call: [0845 6880112](tel:08456880112)  
 Email: [info@adremit.co.uk](mailto:info@adremit.co.uk)

### Our Address

Puravent, Adremit Limited, Unit 5A, Commercial Yard, Settle, North Yorkshire, BD24 9RH



## Accessories

### Electric accessories

[TG-A130 Surface sensor 0-30°C \(5159\)](#)

[TG-K330 Duct Sensor 0-30°C \(5160\)](#)

[RVAZ4-24 Actuator 3points \(9798\)](#)

[RVAZ4 24A Actuator 0-10V \(9862\)](#)

### Accessories

[DE 60x30 dropelemin.PGK/DXRE \(7050\)](#)

[ZTV 20-2,5 2-way valve \(9825\)](#)

[ZTR 20-2,5 valve 3-way \(9677\)](#)

## Documentation



PGK\_Installation and Service\_172391\_GB\_A002.pdf (2,35MB)



Conformity\_decl. PGK\_VBR(PGV)\_VBC(CWW)\_CWK.pdf (17,06kB)

### Get In Touch



Call: [0845 6880112](tel:08456880112)



Email: [info@adremi.co.uk](mailto:info@adremi.co.uk)

### Our Address

Puravent, Adremi Limited, Unit 5A, Commercial Yard,  
Settle, North Yorkshire, BD24 9RH